

January 7, 2025

**Addendum #2**

**Re: Webb County Drainage District No. 1  
Project 2024-001 Lago Dam Conversion to Regional Detention Pond**

All contractors, holders of plans and specifications, and all interested parties to the referenced project are hereby notified of the following revisions to the plans and/or specifications of the above referenced project:

**1) Revision to Plans**

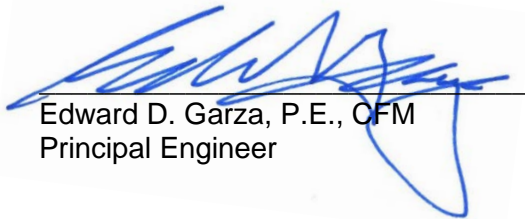
Replace plan sheet #11 with one provided herein. Primary update adds a concrete footing on top and bottom of rock safety end treatment.

Addendum #2 is being submitted to all contractors, holders of plans and specifications, plan rooms, and all interested parties to the project and acknowledgement of same is required on the proposal forms. Bid due date of Thursday, January 16, 2025 at 4:00 p.m. remains unchanged.

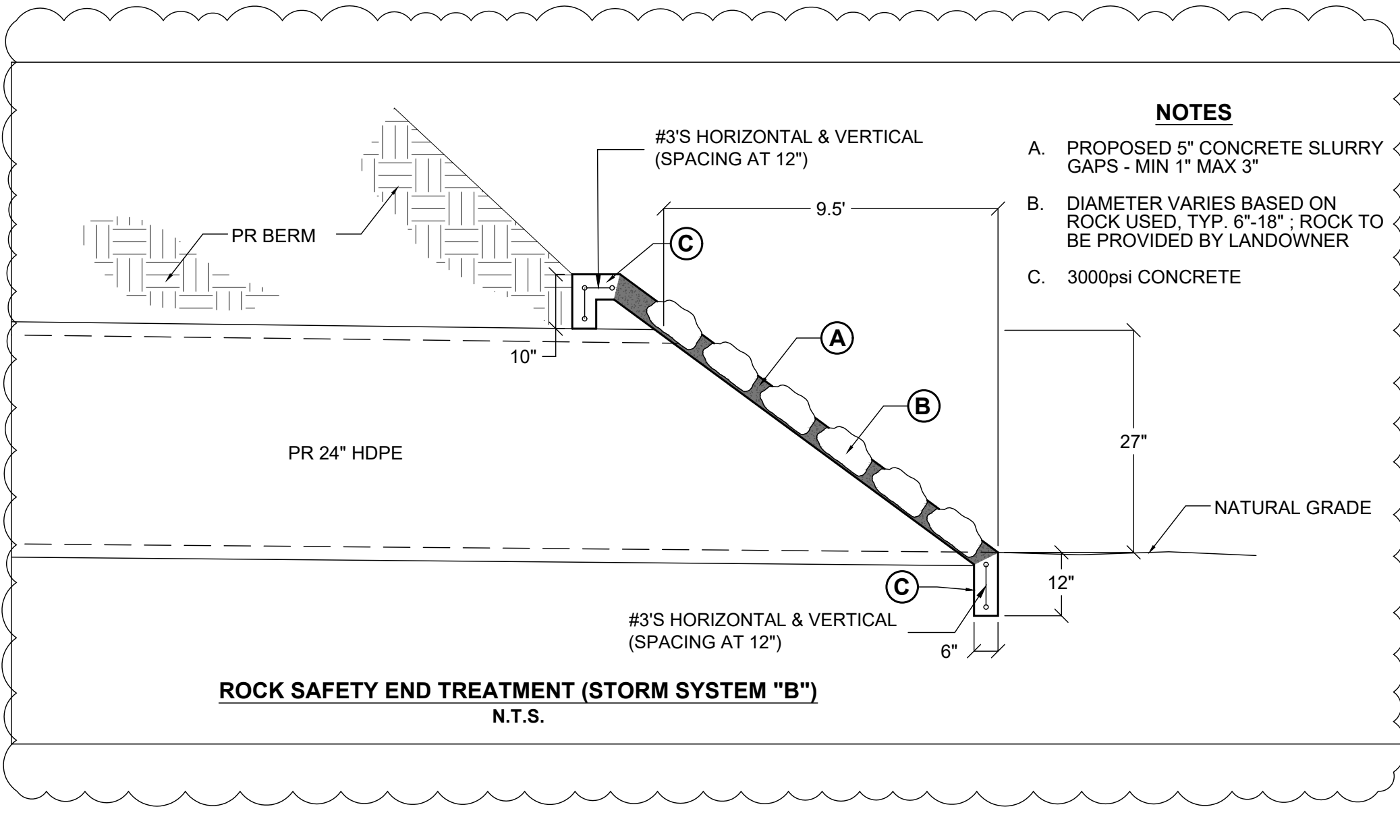
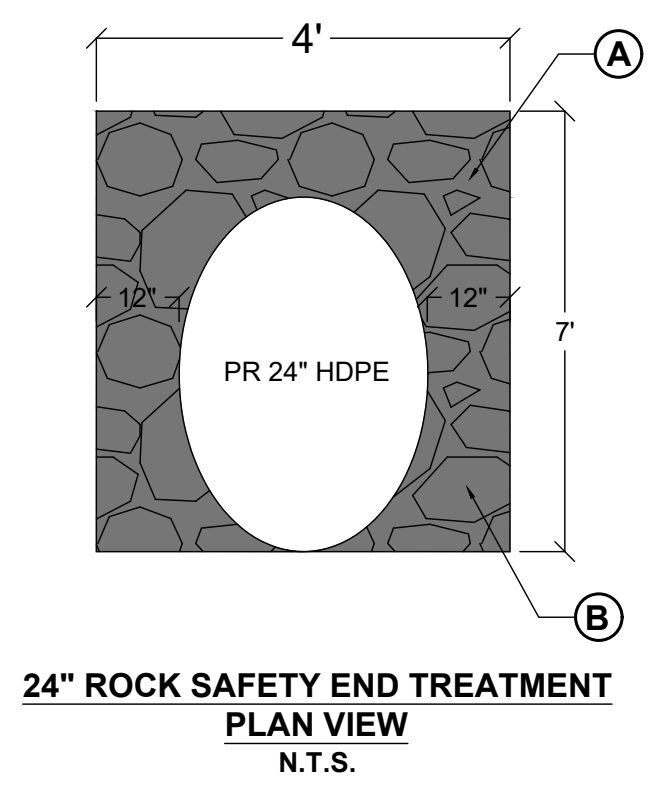
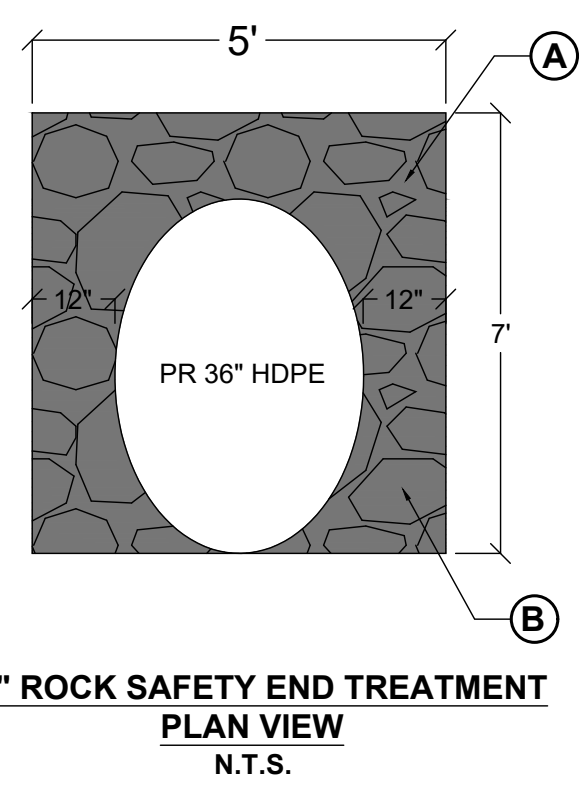
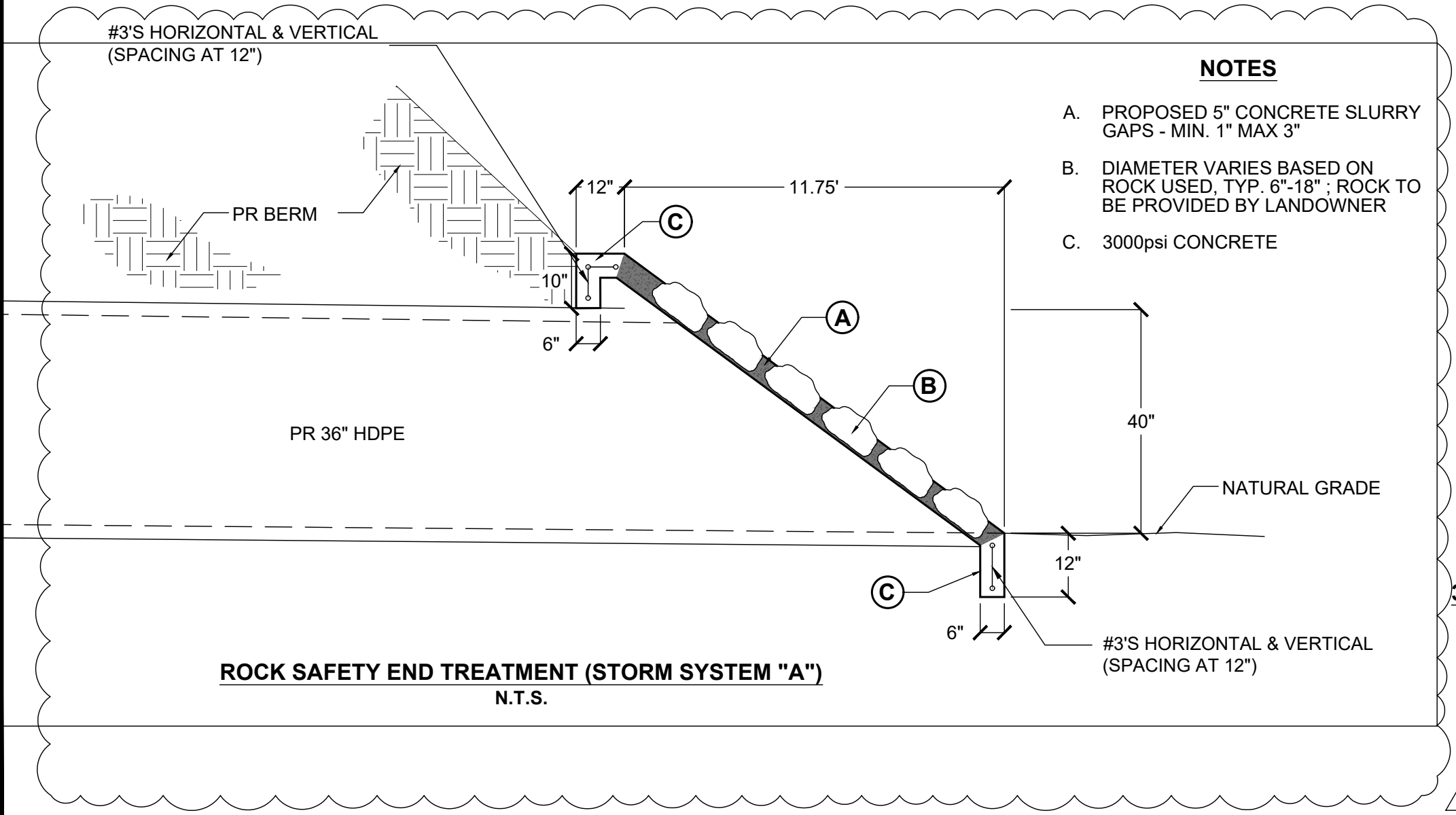
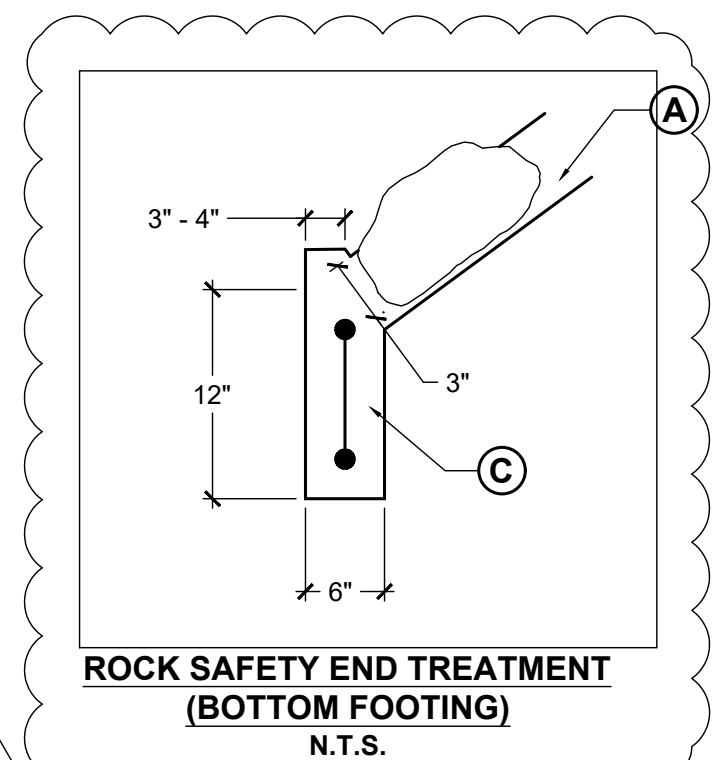
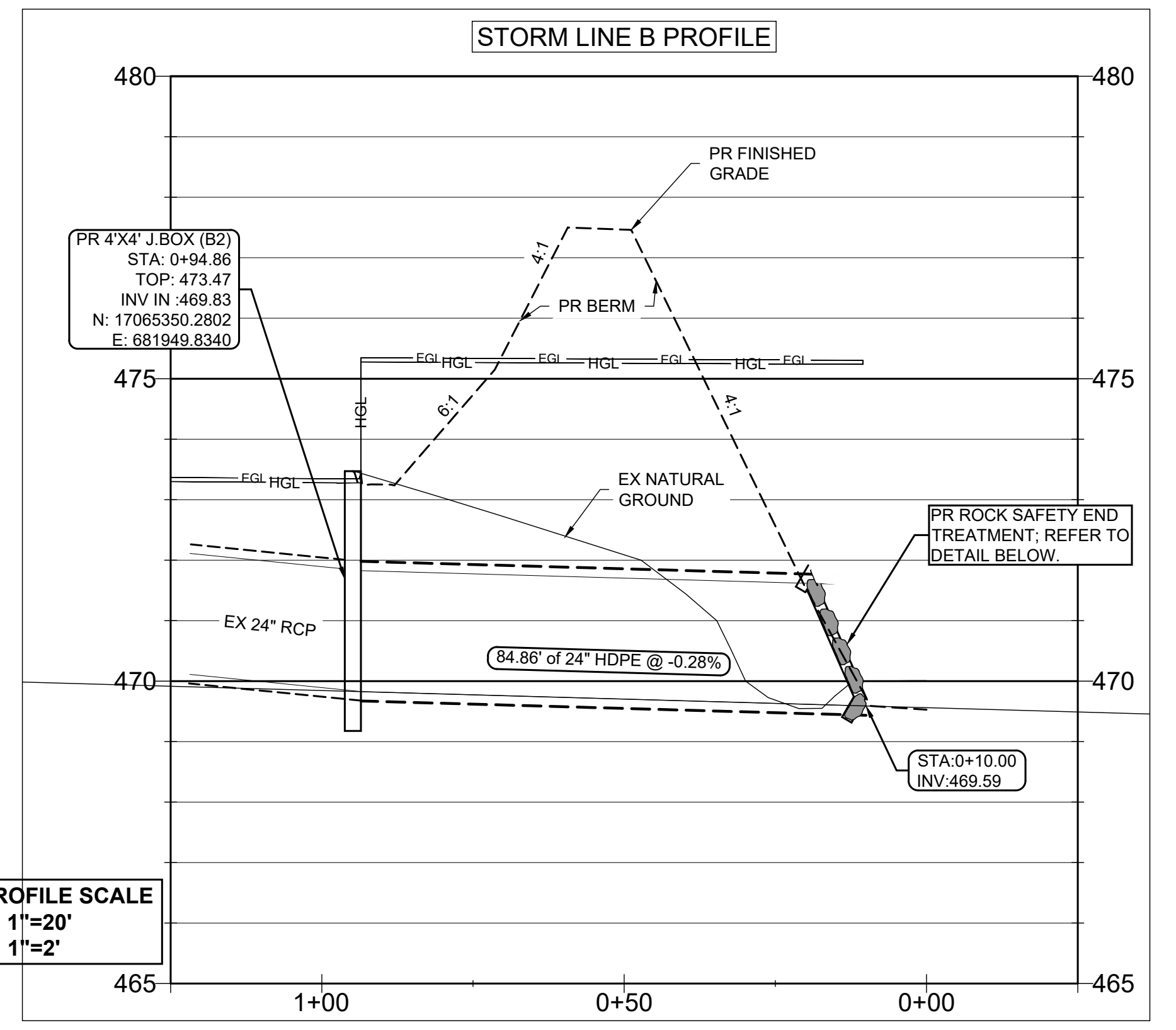
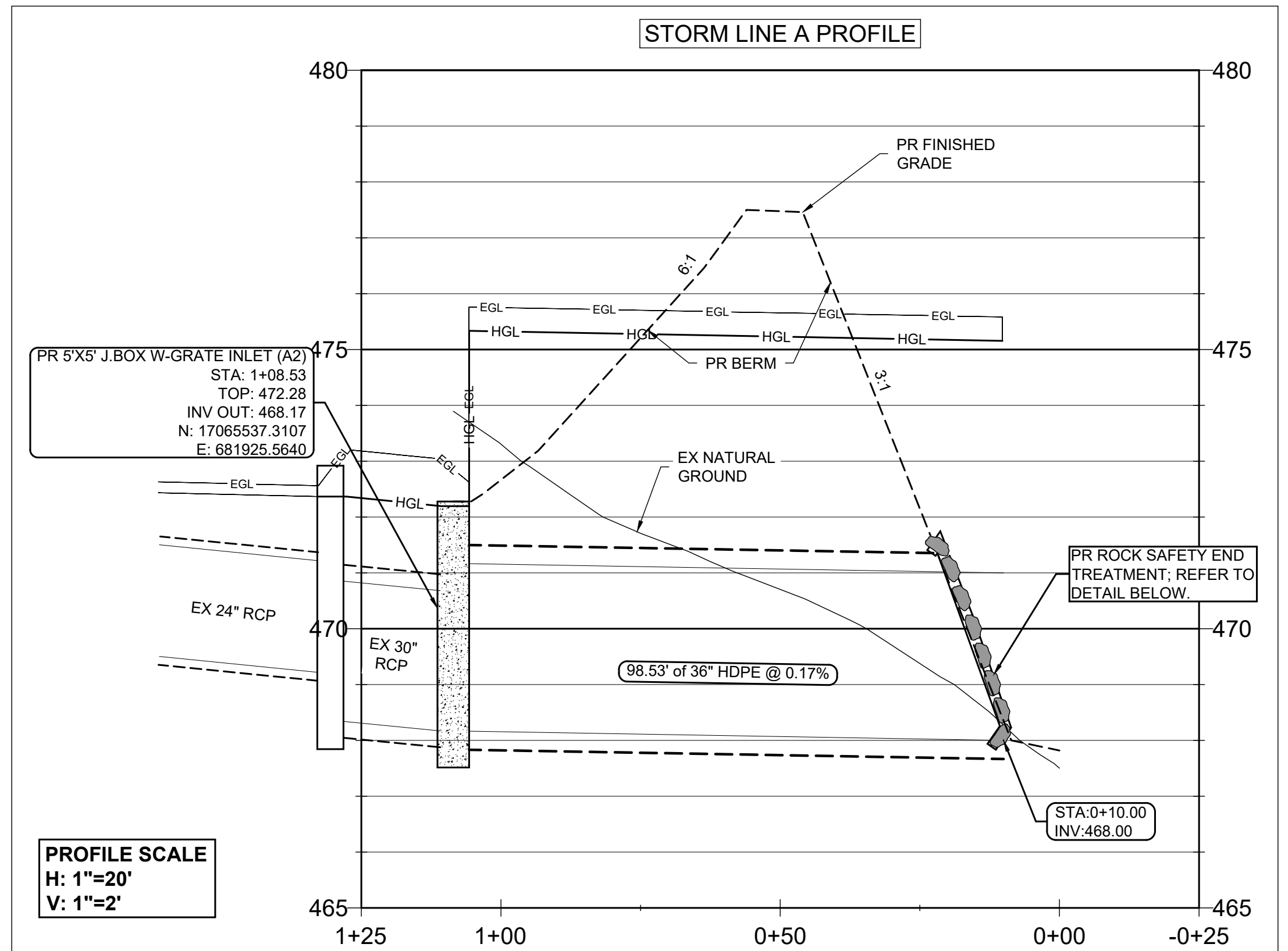
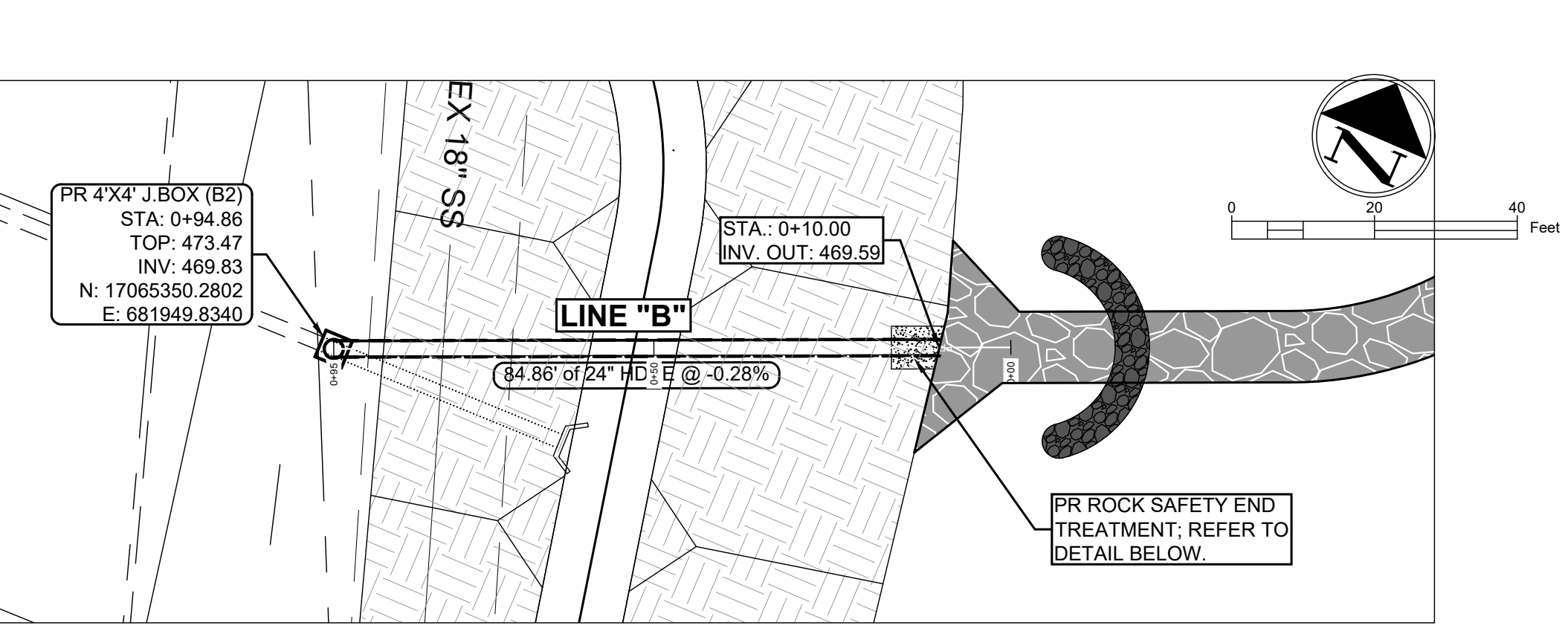
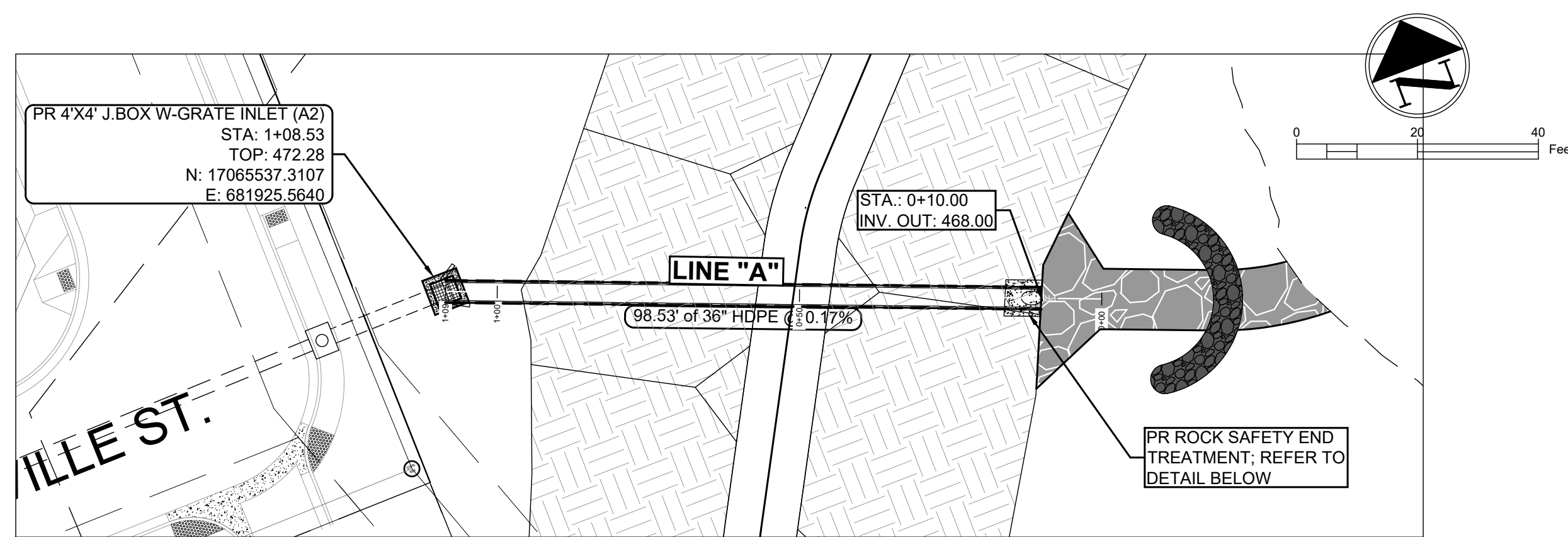
Recommended By:

**CRANE ENGINEERING CORP.**

Firm # F-3353

  
Edward D. Garza, P.E., CFM  
Principal Engineer





**GENERAL NOTES**

- PLANS AND SPECIFICATIONS WILL NOT BE SUBSTANTIALLY CHANGED WITHOUT EITHER WRITTEN APPROVAL OF THE EXECUTIVE DIRECTOR BEFORE THE WORK IS STARTED, OR MODIFICATION OF THE CHANGES AS DEFINED IN 30 TAC 299.26 "CONSTRUCTION CHANGE ORDERS."
- PROPOSED ROCK AVAILABLE ON SITE. CONTACT JOHN VILLEGAS TO ACCESS ROCK.

**VERTICAL DATUM: NAVD 88**  
**PROJECT: NAD83 TEXAS STATE PLANES, SOUTH ZONE, U.S. FOOT**



ADDENDUM #2	01/06/25
No.	Revision/Issue
	Date

**FIRM NAME AND ADDRESS**  
**CRANE ENGINEERING CORP.**  
 1310 JUNCTION DRIVE SUITE B  
 LAREDO, TX 78041 956-712-1996  
 FIRM REGISTRATION NO. F-3353

**ADDENDUM #2**

**Project Name and Address**  
**LAGO DEL VALLE DAM (TX 05979) IMPROVEMENT PROJECT**

Sheet Title  
 STORMWATER MANAGEMENT PLAN, PROFILES (LINE A & B), & DETAILS

Date: 8/29/2022  
 Scale: AS NOTED  
 Sheet: **11**